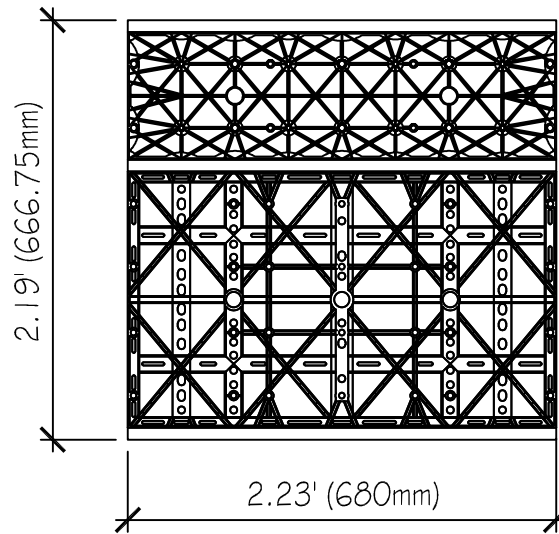
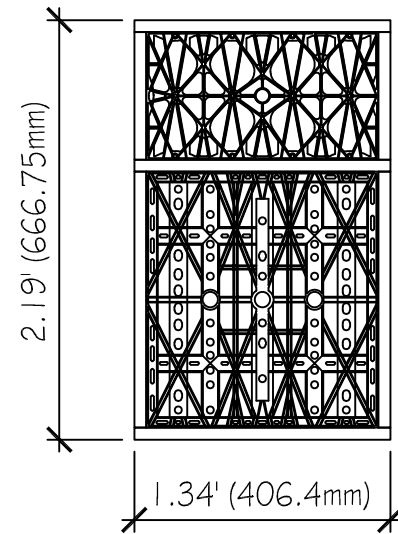


Top View



Front View



Side View

## EcoRain Half Tank + EcoRain Single Tank

**Ecorain Tank Systems**

[www.ecoraintank.com](http://www.ecoraintank.com)

Drawing No.: Half and Single Tank

NOT TO SCALE

5/14/23

*Ecorain Products & Systems are worldwide patent pending & design registered*

Disclaimer: All information provided in this publication is correct to the best knowledge of the company and is given out in good faith. This information is intended only as a general guide, no responsibility can be accepted for any errors, omissions or incorrect assumptions. As each project is unique and as Ecorain Tank Systems of America Inc. and its distributors and agents world-wide have no direct control over the methods employed by the user in specifying, installing or supervising of its products hence no responsibility is accepted by Ecorain Tank Systems of America Inc. and its distributors and agents world-wide. Users should satisfy themselves as to the suitability of the product for their purpose.